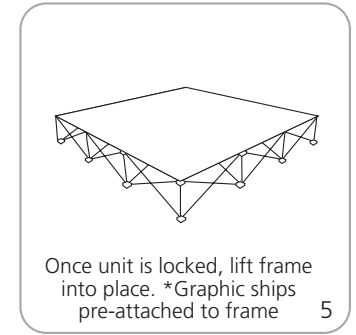
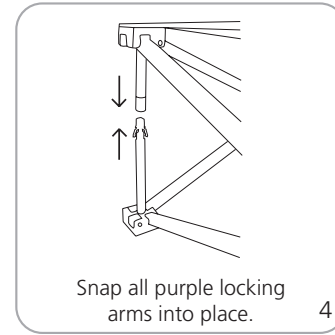
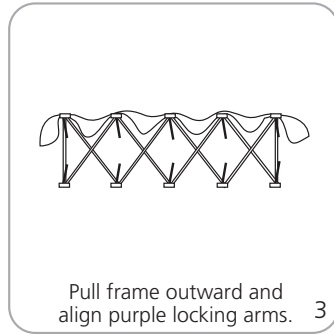
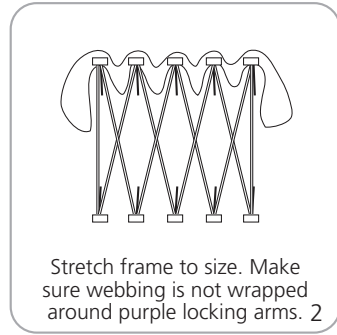
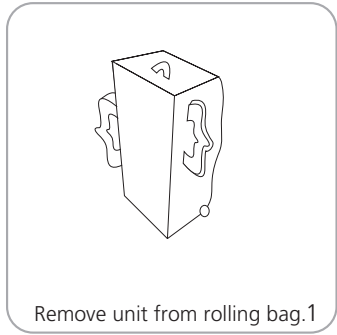
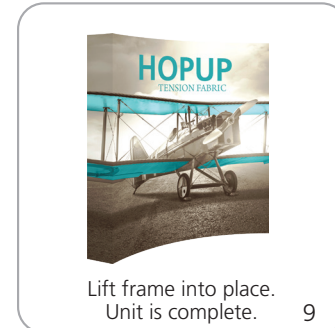
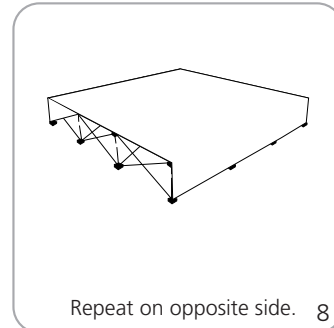
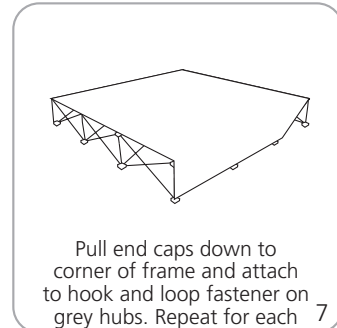


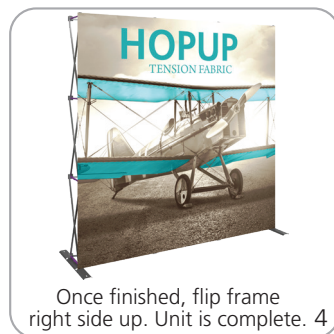
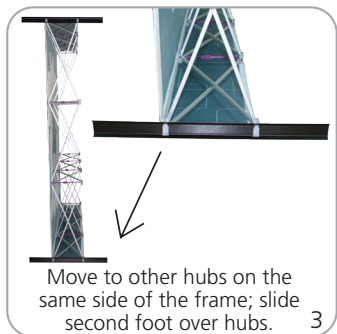
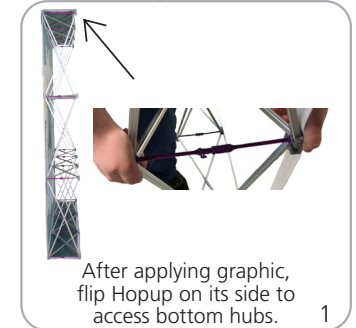
SET-UP:
GRAPHIC COMES ATTACHED



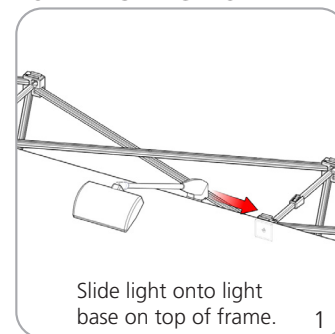
TO ATTACH END CAPS



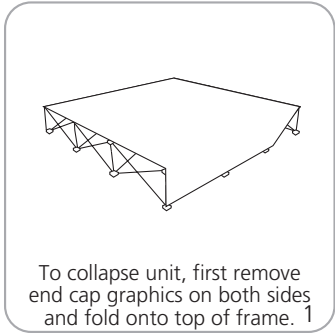
ATTACH STABILIZER FEET TO FRAMES 3 QUADS HIGH



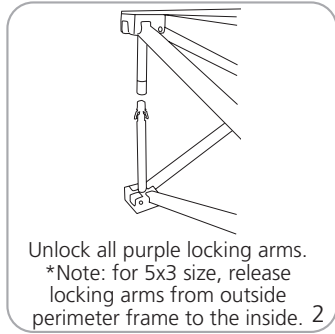
TO ATTACH LIGHTS



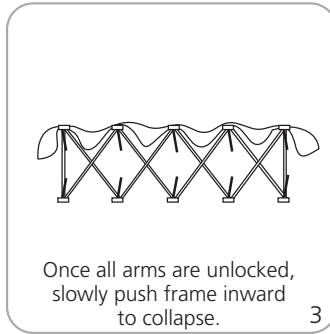
TO COLLAPSE



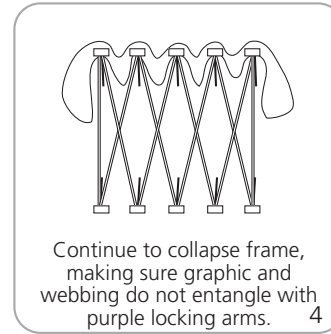
To collapse unit, first remove end cap graphics on both sides and fold onto top of frame. 1



Unlock all purple locking arms. *Note: for 5x3 size, release locking arms from outside perimeter frame to the inside. 2



Once all arms are unlocked, slowly push frame inward to collapse. 3



Continue to collapse frame, making sure graphic and webbing do not entangle with purple locking arms. 4



Store unit into rolling bag. Be sure bag straps do not wrap around purple locking arms. 5

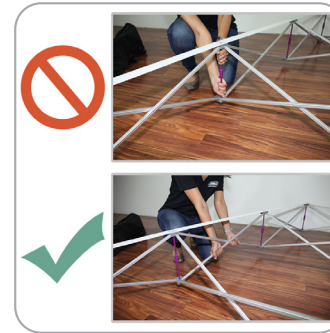
to ensure quality, please note:



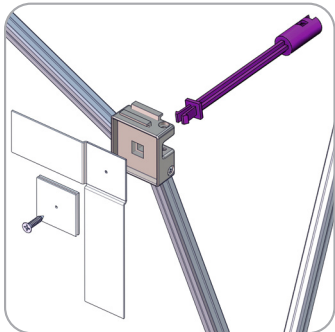
If the webbing is wrapped around the purple locking arm, the arm can snap off when opening the unit.



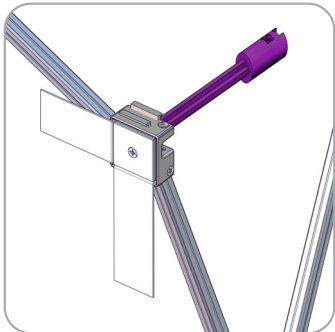
When packing unit in the bag, ensure that the strap is not partially wrapped around an arm. If it is, the arm will snap when pulled out of the bag.



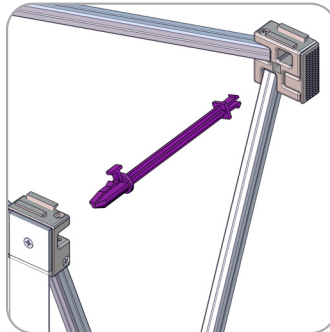
Do not use the purple locking arm to lift unit. ALWAYS lift by the frame.



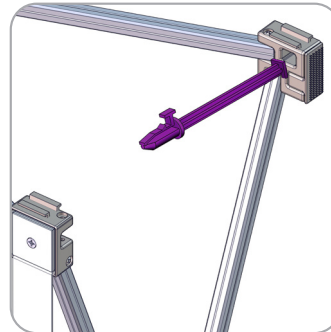
To detach the female arm, remove the screw, steel plate and hook and loop fastener webbing. Pull the arm off the hub.



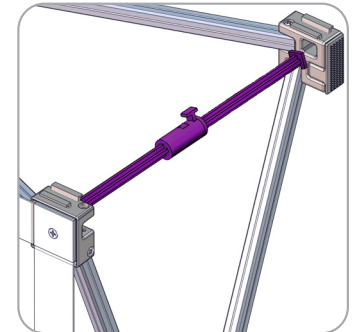
Attach the female arm by popping it into the hub. Fasten the screw through the steel plate hole and the hook and loop fastener webbing tapping into the female arm.



To detach the male arm, pull the arm off the hub.



Simply pop in the male arm into the hub.



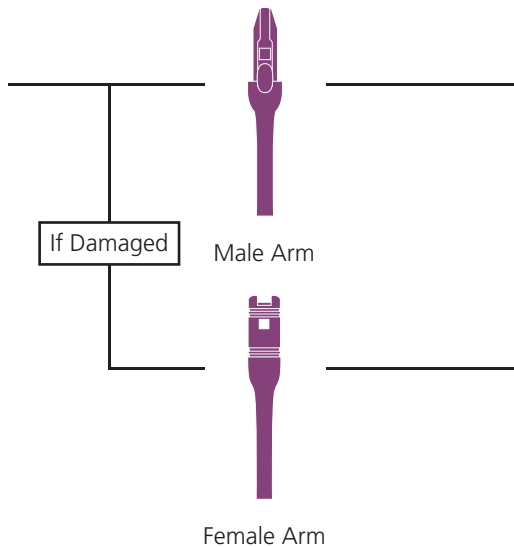
Both arms should align to snap lock together.

Hopup Help Guide

Removing a Damaged Locking Arm



1. The unit starts together.



M1. **Unbuckle** the male and female arms then gently tilt either arm up or down.



M2. Loosen the male arm by **wiggling side to side** and remove by pulling to one side.



F1. **Unscrew** the plate and female arm from the frame hub.



F2. Remove the female arm as in M2.; wiggle side to side and **pull out to one side**.

Installing a New Arm



1. Insert the male arm into the frame hub.



2. Insert the female arm into the frame hub.



3. **Line up** the female arm to the frame hub (3A.) and push into place (3B.).



3A. **Make contact** when lining up the female arm and the frame hub for easier connection.



3B. Lock the arm into place by **pushing the two sides** of the frame together.



4. Secure the female arm by **screwing** the plate to the frame hub.



5. The unit is assembled.

Other tips:

- When removing a damaged locking arm, unbuckle nearby arms to relieve tension.
- Drill straight in the middle of the plate when attaching the female arm to ensure security.